

DIAMOND5

Single Auger



Standard Features

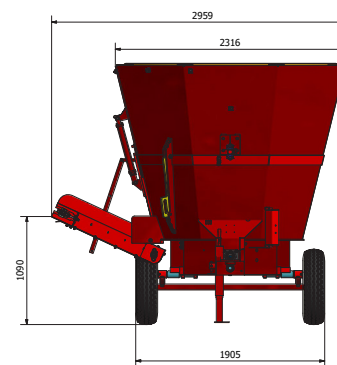
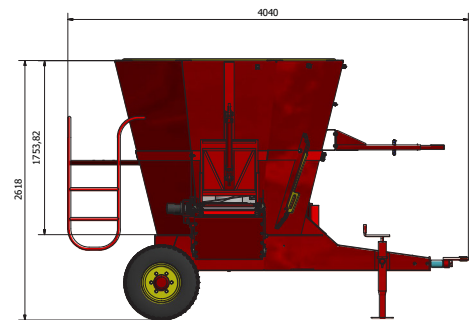
- Single Auger/ 33,5 rpm @ 540 rpm tractor PTO Speed
- Heavy Duty Planetary Drive
- 3CR12 Stainless Steel Inner Liners
- Dinamica Generale DG400 Standard Scale + 3 load cells
- PTO Drive shaft, A4
- Anti-Overflow ring
- 260/70 R15.3 Tyres + 60 x 60 Square Axle, 6 Stud

Optional Extras

- Dinamica Generale DG500/DG600 Smart Scale
- 37Kw Variable Speed Drive [Stationary]
- 37Kw electric 4 pole/ inline reduction pulley drive [Stationary]
- Power pack/ Conveyor & Door (60L with 4Kw Motor) [Stationary]
- Conveyor length 5 Meter OR 8 Meter (Hydraulic or Electric) [Stationary]
- Magnet on discharge conveyor



Dimensions



Specifications

Cubic meter:	5m³
Weight Empty:	2000kg
Maximum Load: (Dependant on the density of the ration).	1500kg
Recommended Tractor Size with Hydraulics:	37kW

Material

Side wall thickness: (1.6mm Stainless Steel + 5mm Mild Steel).	6.6mm
Floor thickness:	12mm

Auger

Cutting Blades	11
Round Serrated Ninja Blades	10
Pick-up Width	840mm
Flight thickness Middle & Top Flight + S/Steel Roundbar.	12mm
Flight thickness Bottom Flight + S/Steel Roundbar.	12mm

Unleash the
power of precision

